

# Product Information

Language	INGLESE
Nr.	223
Date	10/2013
Subject	BC 350 S-T (EURO 2)



our power, your passion

## NEW BRUSHCUTTERS BC 350 S - BC 350 T (EURO 2)



Mod. BC 350 T

Mod. BC 350 S

**LOAD&GO**

**EasyOn**

Models for demanding private users and professional green maintenance experts designed to provide an excellent ratio between high performance and low weight. Ideal for people who need to handle intensive and continuous work, these tools guarantee consistently high output even under strain and in difficult conditions. The ruggedness of the engine ensures high efficiency and constant quality at all times.

- reliable: the ruggedness of the engine ensures high efficiency and constant quality at all times.
- lightweight: easy to handle and guaranteeing lasting efficiency,
- simple: easy starting, operation and maintenance
- comfortable: equipped with antivibration system and ergonomic handle with soft covering and controls easily reached with just one hand, including the on/off switch (always on).

## PERFORMANCE AND ENGINEERING

- **36,3 cm<sup>3</sup> with 1,9 HP (1,4 kW) 2-stroke engines**, in compliance with regulations (Euro 2), compatible with alkyl petrol and featuring a high linear torque curve even at low revs.
- **Piston with 2 rings, diecast cylinder** with Nickel plating, forged con rod and crankshaft (Fig. 1): guaranteeing an extremely rugged and durable engine.



- **Digital coil with electronic control** (Fig. 2) and revs limiter: for easier starting, improved performance thanks to uniform combustion, and reduced fuel consumption.

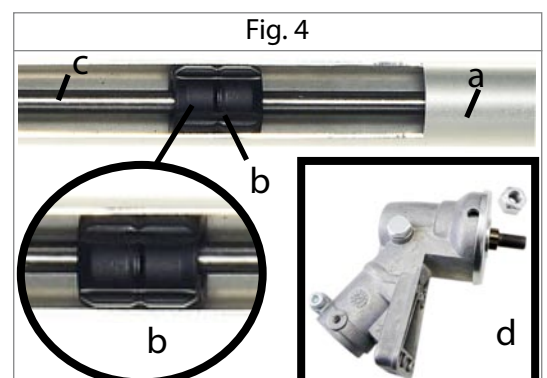


- **Magnesium clutch cover** (Fig. 3) protected by a plastic cover: optimised and reduced weight of the tool while imparting high strength and lasting reliability.



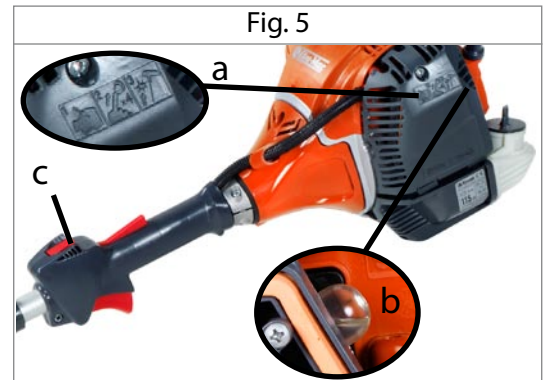
- **BC 350 S: Ø 26 mm aluminium drive tube** (Fig. 4a), with 7 self-lubricating antivibration bearings (Fig. 4b), **7 mm internal rigid shaft** (Fig. 4c) and **aluminium bevel gear pair with M 10 male drive pin** (Fig. 4d), for unimpeded power transmission.

- **BC 350 T: Ø 28 mm aluminium drive tube** (Fig. 4a), with 6 self-lubricating antivibration bearings (Fig. 4b), **8 mm internal rigid shaft** (Fig. 4c) and **aluminium bevel gear pair with M 10 male drive pin** (Fig. 4d), for unimpeded power transmission.



## OPERATOR DESIGN FEATURES

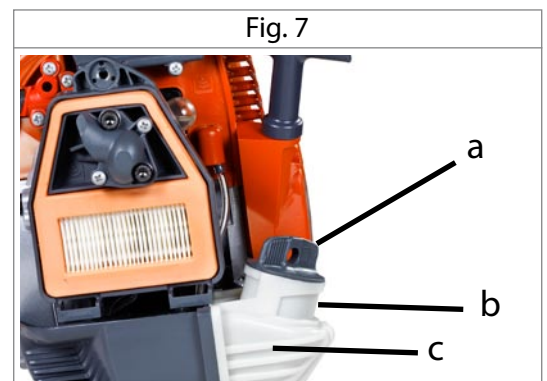
- A **graphic representation** of starting operations facilitates engine starting even for less expert users (Fig. 5a).
- **Air purge primer** (Fig. 5b) visible on the carburetor ensures easier access and operation.
- The **on/off switch** (Fig. 5c) returns automatically to the “on” position after each stop (always on).



- “**Easy on**” device (Fig. 6) composed of a double spring in the starter cover combined with driver with two ratchets means reduced force with each pull and fast starting with fewer rope pulls.



- **Filler cap with two grips** (Fig. 7a) (side and top) and tank filler neck (Fig. 7b) in vertical position for easier refuelling.
- **Transparent fuel tank** (Fig. 7c) for instant view of the quantity of fuel remaining.

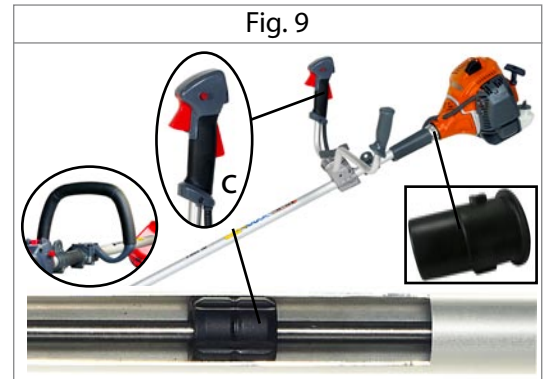


- **Innovative 130 mm Ø “LOAD & GO” line head** (Fig. 8): for straightforward line replacement - just 20 seconds to rewind the line and resume work.

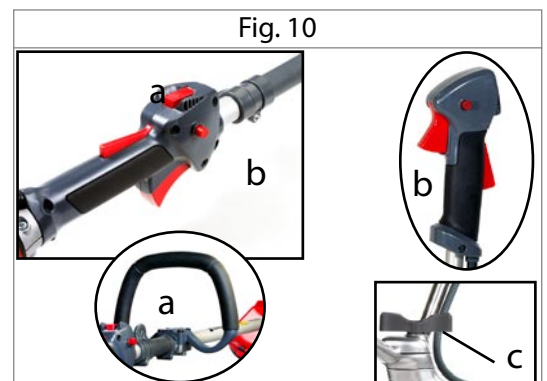


## OPERATING BENEFITS

- **Built-in antivibration system:** greatly reduced vibrations felt by the operator during use of the tool (Fig. 9).



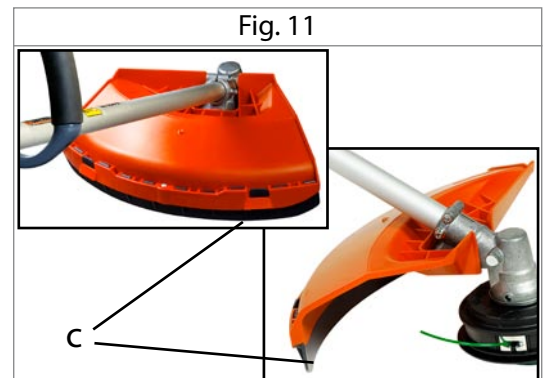
- **Ergonomic loop and handles:** clad in soft rubber (Fig. 10a-b) offer an anatomic and comfortable grip of the tool in all operating conditions.



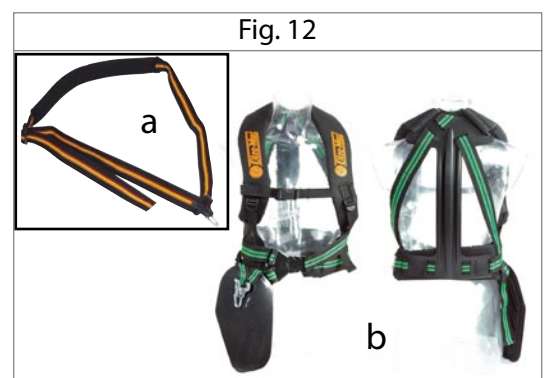
- The **twin version** with **ergonomic aluminium** handlebar features an easy-to-use adjuster knob (Fig. 10c).

- **150 mm drive tube:** the operator is always able to maintain an erect posture.

- **The large size stone guards** for efficient protection against projected debris and most cutting diameter. In addition, simply removing the skirt with line cutter knife (Fig. 11c) makes the line head suitable for use with a metal blade.



- **Harness,** supplied as standard (Fig. 12a BC 350 S) (Fig.12b BC 350 T) is easy to adjust and imparts greater freedom of movement allowing improved weight distribution in accordance with the operator's stature.

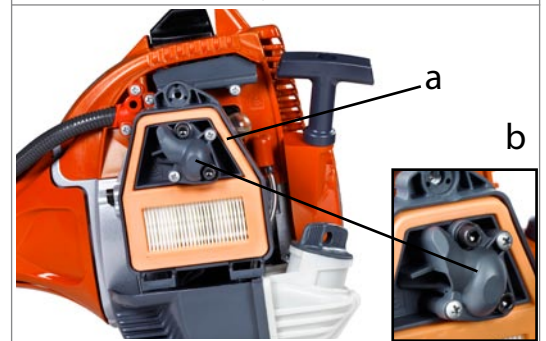




## SERVICE FRIENDLY

- **Generously sized cloth air filter:** guarantees high filtration efficiency and easy maintenance (Fig. 13a).
- **Filter support (Emak patent) with anti-backflow element** (Fig. 13b), (prevents the filter from becoming fouled by fuel) for longer operation between filter maintenance procedures.

Fig. 13



- **Filter cover accessible without tools** by means of specific knob (Fig. 14a): facilitates air filter inspection and cleaning.

Fig. 14



- **Engine cover and silencer cover** (Fig. 15a) integrated in a single component that is easily removed for fast access to the engine and rapid maintenance.

Fig. 15



- All **screws** are of the **TORX head type**, to allow the use of a single tool for most maintenance procedures (Fig. 16).

Fig. 16



# TECHNICAL SPECIFICATIONS

MODEL	BC 350 S		BC 350 T	
<b>ENGINE</b>				
TYPE		Emak 2-stroke / EURO 2 (with Catalyst)		
DISPLACEMENT	cm <sup>3</sup>	36,3		
BORE x STROKE	mm x mm	38 x 32		
MAXIMUM POWER OUTPUT	HP/kW (rpm)	1,9 / 1,4 (7500)		
MAXIMUM TORQUE	Nm (rpm)	1,86 (5500)		
IDLING SPEED	rpm	2800		
MAXIMUM NO LOAD SPEED	rpm	10500		
HOURLY FUEL CONSUMPTION (at max power output)	g/h (rpm)	700 (7500)		
<b>IGNITION SYSTEM</b>				
TYPE		Digital		
COIL		Walbro MAU-34		
SPARK PLUG		NGK BPMR7A		
<b>SISTEMA DI ALIMENTAZIONE E LUBRIFICAZIONE</b>				
CARBURATORE A membrana		Walbro WT 1099		
CAPACITÀ SERBATOIO CARBURANTE	l	0,6		
FILTRO ARIA		Paper + anti-backflow element		
PRIMER		Yes		
EASY ON		Yes		
<b>TRANSMISSION SYSTEM</b>				
DRIVE SHAFT (Ø) "Outer / Inner"	mm	26 (with steel shaft Ø 7 mm)	28 (with steel shaft Ø 8 mm)	
ROD LENGTH	mm	1528	1556	
BEVEL GEAR PAIR		with M10 male thread		
CLUTCH (DIMENSION)	mm	2 elements with FERODO PADS (75 x 18)		
<b>SAFETY</b>				
SOUND PRESSURE (LpA EN ISO 11806 - EN 22868)	dB(A)	with disc 91,5	with disc 91,5	
		with nylon head 96,5	with nylon head 91,5	
SOUND POWER (Lwa 2000/14/EC - EN 22868 - EN ISO 3744)	dB(A)	with disc 106	with disc 106	
		with nylon head 110	with nylon head 106	
VIBRATION LEVEL (EN 11806 - EN 22868 - EN 12096)	m/s <sup>2</sup>	with disc 5,2 SX - 4,6 DX	with disc 4,4 SX - 4,4 DX	
		with nylon head 5,5 SX - 5,2 DX	with nylon head 3,1 SX - 4,1 DX	
<b>ERGONOMICS</b>				
HARNESS		Single	Double	
FRONT HANDLE		ERGONOMIC Loop	ERGONOMIC Handlebar	
REAR HANDLE		Standard with throttle trigger lockout	Ergonomic with moulded rubber grips	
ON / OFF SWITCH		A button (always on)		
ANTI-VIBRATION SYSTEM		7 self lubricating brass and rubber bushings in drive shaft. + 1 rubber in the clutch housing to shaft.	6 self lubricating brass and rubber bushings in drive shaft. 1 rubber in the clutch housing to shaft. 2 between handle-bar and tube.	
<b>CUTTING SYSTEM</b>				
STANDARD CUTTING DISC		Steel disc cutter with 3 teeth Ø 10° / 255 mm, thickness 1,8 mm		
STANDARD NYLON STRINGHEAD		Load & Go Ø 130 mm with Ø 3.0 mm nylon line		
CUTTING GUARD - CUTTING WIDTH (with stringhead)	mm	Plastic (420)		
WEIGHT (Without cutting tools)	kg	6,9	7,4	
POWER-TO-WEIGHT RATIO	kg / kW	4,9	5,3	



It's an Emak S.p.A. trademark Member of the Yama Group  
Via E. Fermi, 4 • 42011 Bagnolo in Piano (Reggio Emilia) Italy  
Tel. +39 0522 956611 • Fax +39 0522 951555  
venditeitalia@oleomac.it • www.oleomac.it

